

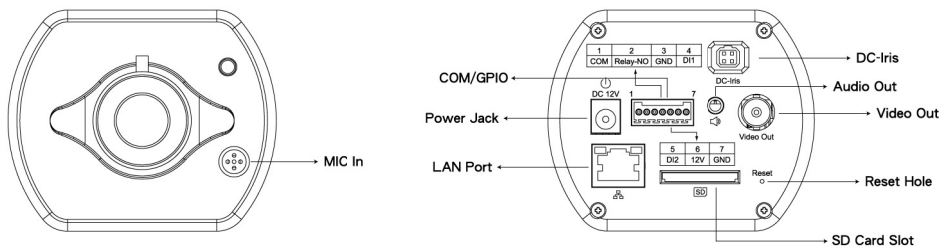
# P-600/P-600PoE H.264 High Profile 2 Megapixel Day/Night Network Camera

Other languages are available from the PiXORD Network Video Product CD supplied with this product.

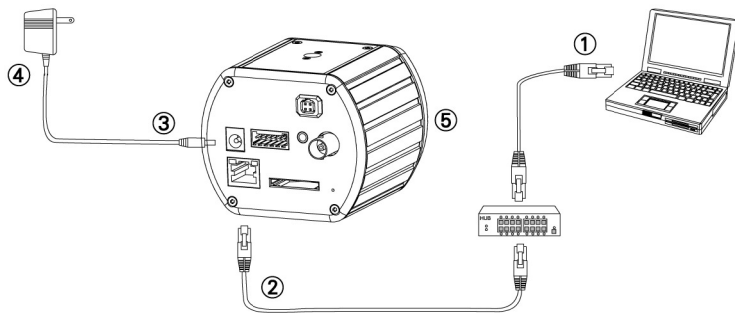
- ★ P-600 Quick Guide (English) → CD
- ★ P-600 快速安裝 (繁體中文) → CD
- ★ Hướng dẫn nhanh về P-600 (Tiếng Việt) → CD
- ★ P-600 Snelgids (Nederlands) → CD
- ★ Guide de démarrage rapide (Français) → CD
- ★ P-600 Kurzanleitung (Deutsch) → CD
- ★ P-600 gyors útmutató (magyar) → CD
- ★ Guida rapida P-600 (Italiano) → CD
- ★ P-600 Guia de consulta rápida (Português) → CD
- ★ P-600 간편 안내서 (한국어) → CD
- ★ Guía rápida del dispositivo P-600 (Español) → CD
- ★ คู่มือฉบับย่อ P-600 (ภาษาไทย) → CD
- ★ P-600 Hızlı Kılavuz (Türkçe) → CD

## Hardware Connection

### ★ P-600/P-600PoE - Physical Overview



### ★ P-600/P-600PoE - Physical Connection



- ① Prepare a PC with Ethernet link to the network
- ② Connect LAN port (RJ45) of the camera to a network switch/hub
- ③ Connect power jack
- ④ Ensure the power adaptor specification matches the power system (110V or 220V) and connect the adaptor to the outlet
- ⑤ Check LED status (Power/Network)

## Software Installation

The following software is necessary for the proper display and use of the camera/video server from the Web site. The software will be taken from the Software Package CD.

### IP Installer

The IP Installer is used to locate and configure network cameras and video servers in the LAN.

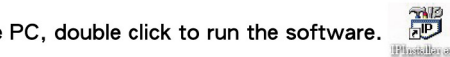
## Network Configuration

### ★ Using IP Installer to Assign IP Address

1. Once IP Installer has been successfully installed on the PC, double click to run the software.

2. Click the menu bar [Tool] > [Search Network Device] to search the device in the LAN.

3. Select device with the MAC Address corresponds to the camera that is to be configured.



State	Model	Mac Address	IP Address	Subnet Mask	Gateway	DNS1	DNS2
<input type="checkbox"/>	P410P416	00-04-29-02-ed-1e	192.168.2.210	255.255.255.0	192.168.2.254	192.168.0.13	168.95.1.1
<input type="checkbox"/>	P606W	00-04-29-00-b4-ff	192.168.2.153	255.255.255.0	192.168.2.254	168.95.1.1	168.95.1.1
<input type="checkbox"/>	P600DN	00-04-29-00-8c-ff	192.168.2.90	255.255.255.0	192.168.2.254	168.95.1.1	168.95.1.1
<input type="checkbox"/>	P400P413/P423P42...	00-04-29-01-10-90	192.168.2.31	255.255.255.0	192.168.2.254	192.168.0.13	192.168.0.16
<input type="checkbox"/>	P606W	00-04-29-00-b2-ff	192.168.2.35	255.255.255.0	192.168.2.254	192.168.0.13	0.0.0.0
<input type="checkbox"/>	P600DN	00-04-29-00-90-ff	192.168.1.145	255.255.255.0	192.168.1.254	192.168.0.13	168.95.1.1

4. Double click the item to open the Property Page or click the menu bar [View] > [Property].

5. After filling in the properties, click [Set] button to complete the configuration settings then click [Close] button to save in the PC.

Property Page

Video Server

Mac Addr: 00-04-29-01-08-ff

Firmware Version: 1.0.2\_rc5.4391

Property

IP Address: 192.168.2.155

Subnet Mask: 255.255.255.0

Gateway: 192.168.2.254

Http Port: 80

DNS1: 192.168.0.13

DNS2: 192.168.0.16

DNS3: 168.95.1.1

Username & Password

Use Custom:

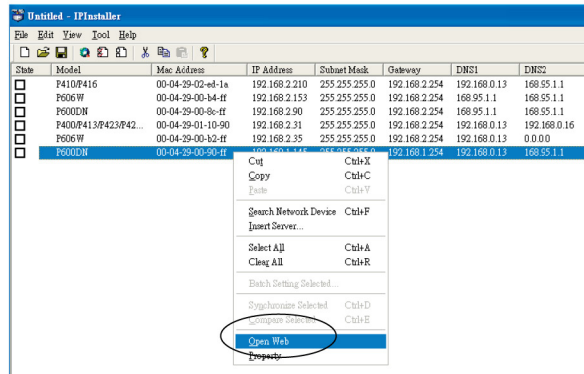
Username: admin

Password: [ ]

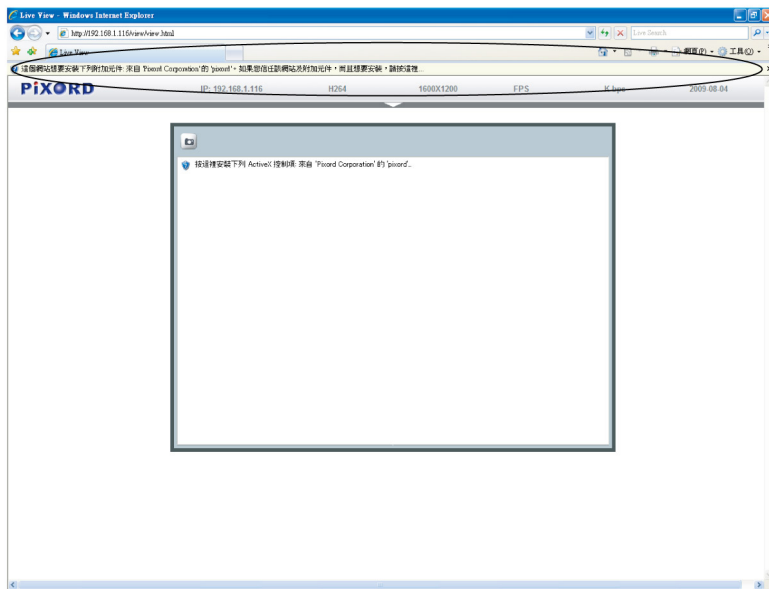
Buttons: Close, Cancel, Set

★ Open the Web-based UI

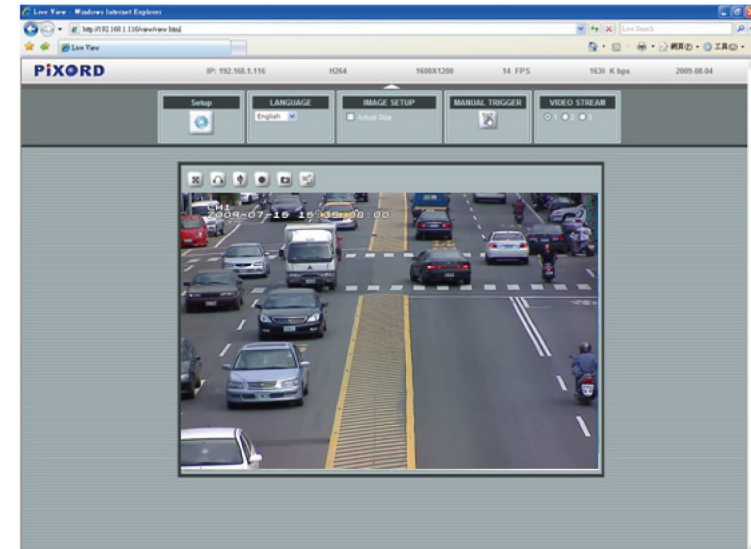
1. To access the Web-based UI of the selected unit, run the [View] > [Open Web] on the menu bar.



2. For first time user, there will be a prompt to install the ActiveX control.  
Confirm the installation as it is required to view the video stream and some operations.



3. If the device has been configured correctly, the default Web browser will open to the home page of the selected device.



( Username and password is required. Default is admin/admin. )

★ Verify and Complete the Installation from Your Browser

If not able to get the ActiveX download properly, user must temporarily lower your security settings to perform a one-time-only installation of the ActiveX component onto your workstation, as described below:

1. From the Tools menu, select [Internet Options] > [Security] > [Custom Level]
2. Set the security level to Low and click [OK].
3. Restore the security level after the ActiveX installation.